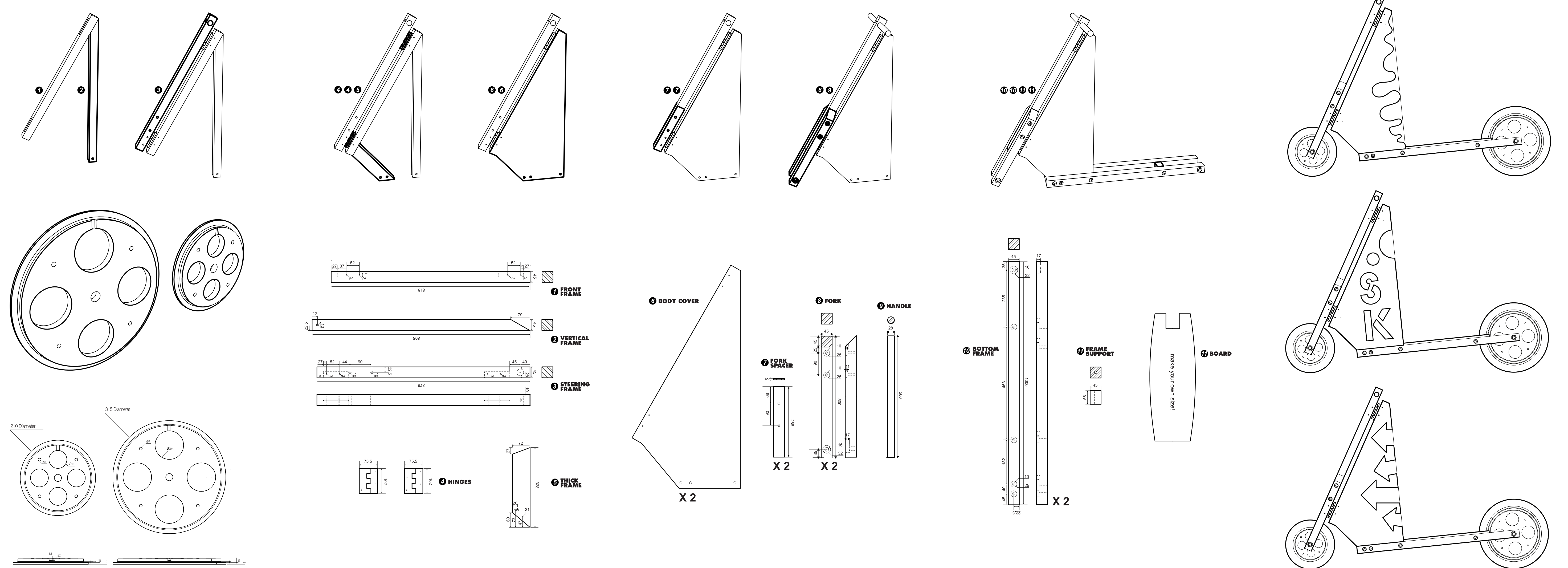
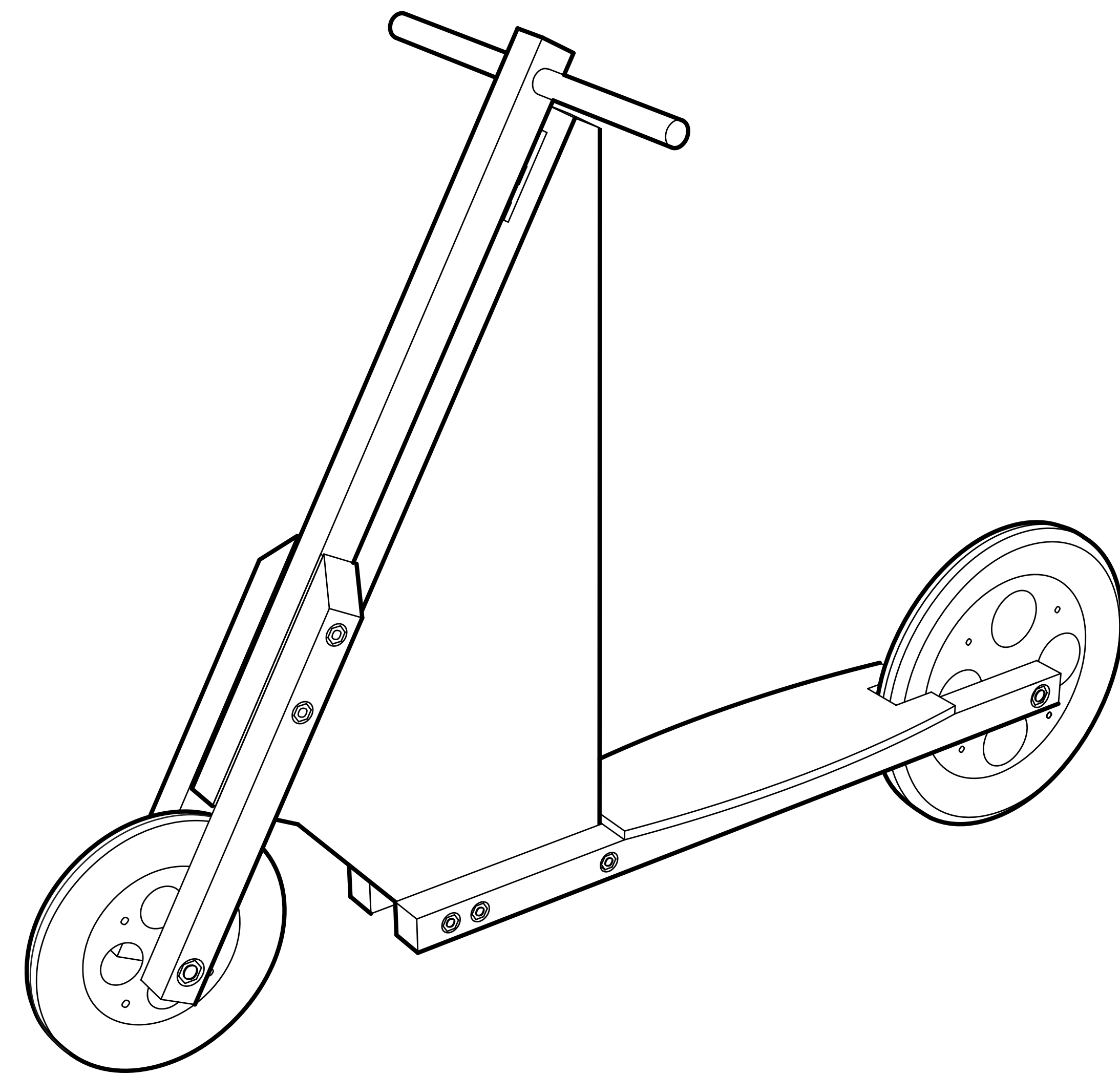


SCOOTERKIT

BY BEN WILSON & DESIGN CAMP

A UNIQUE COLLABORATION BETWEEN BEN WILSON,
 DESIGN CAMP AND 12 ENTHUSIASTIC TEENAGERS
 13TH MAY – 19TH JUNE 2010



PROPULSION

THE ARAM GALLERY IS PLEASED TO PRESENT SCOOTERKIT BY BEN WILSON, SEVEN YEARS AFTER OUR FIRST COLLABORATION, CHAIRFIX.

IN SCOOTERKIT, WILSON DRAWS ON SELF-ASSEMBLY AND DIY CULTURE TO INSPIRE HIS DESIGNS, AND INVITES A RANGE OF 'CO-DESIGNERS' TO USE HIS PRODUCTS AS A PLATFORM FOR THEIR OWN SELF-EXPRESSION. GENERATED FOR DESIGN CAMP'S YOUTH DESIGN AND TECHNOLOGY ACTIVITY PROGRAMME, SCOOTERKIT, A KIT OF PARTS, WAS ASSEMBLED AND CUSTOMISED DURING A WEEKS WORKSHOP IN 2009, WITH 12 CO-DESIGNING TEENAGERS: BINOOF ABDULLAHI, LIZZIE BALL, BILLY BARKER, KAIO CARRILO, BENJAMIN CURRIE, NOAH FRYER-KANSSEN, KEVIN GATDULA, JACK SABROSA, AMIR SAID, MAYOWA SOWUNMI, ROBYN WILLIAMS AND LIBAN YOUSSEF.

BEN WILSON'S PERPETUAL FASCINATION WITH HUMAN POWERED MOBILITY HAS SEEN HIM EXPLORE PROPULSION THROUGH DESIGNING SKATEBOARDS, CUSTOMISED LOW RIDERS, ARM POWERED TRICYCLES, SIT IN MONOCYCLES, PEDAL DRIVEN CAR SHAPED RECLINERS AND

SCOOTERKIT SCOOTERS. IN THE NEAR FUTURE HE IS TO RELEASE DONKY, THE FIRST BATCH OF URBAN BICYCLES DESIGNED FOR HEAVY LOAD CARRYING.

AS AN INDUSTRIAL DESIGNER WILSON IS COMPULSIVELY DRAWN TO INNOVATION AND MECHANICAL ENGINEERING BUT NEVER LOSES HIS CLEAR USER CENTERED FOCUS, HIS LIVELY INTEREST IN AESTHETIC PLEASURE AND HIS PLAYFUL JOY IN DESIGN. THE RESULTS ARE FRESH, WELL-CONSIDERED, APPEALING DESIGNS THAT OFTEN INHABIT BOTH THE FUNCTIONAL REALM AND THE MUCH DESIRED TERRITORY OF COOLNESS. WILSON WORKS AS AN INDEPENDENT DESIGNER AND IS PRINCIPAL OF BEN WILSON DESIGN.

SCOOTERKIT WAS INITIATED BY DESIGN CAMP WHO ARE ALSO SUPPORTING THIS EXHIBITION.

DANIEL CHARNY
 MAY 2010



FOR EXPERIMENTAL OR NEW DESIGN

THE ARAM GALLERY IS AN INDEPENDENTLY CURATED SPACE THAT ENCOURAGES AND PROMOTES UNDERSTANDING OF CONTEMPORARY DESIGN, BY PRESENTING EXPERIMENTAL AND NEW WORK WITH A SPECIAL INTEREST IN THE WORK OF DESIGNERS AND ARTISTS IN THEIR EARLY CAREERS.

CURATOR: DANIEL CHARNY | ASSISTANT CURATOR: ELLIE PARKE | DIRECTOR: ZEEV ARAM
 THE ARAM GALLERY, 110 DRURY LANE, LONDON, WC2B 5SG

WWW.THEARAMGALLERY.ORG | +44 (0)207 557 7526

